

Patch Panel for MPO/MTP Cassettes

This Subrack design to accommodate MPO terminals. Suitable for different kinds of equipment which is designed according to 19" cabinet. Patch Panel can loaded with Max. 12pcs MPO cassettes. Comply to ETSI standard.

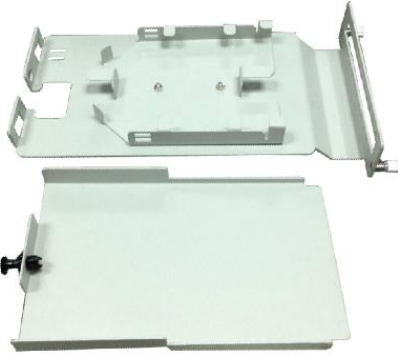
Patch Panel:



Patch panel dimension: 482.6*225*133.5mm

Material: cold-roll steel.

MPO cassettes:



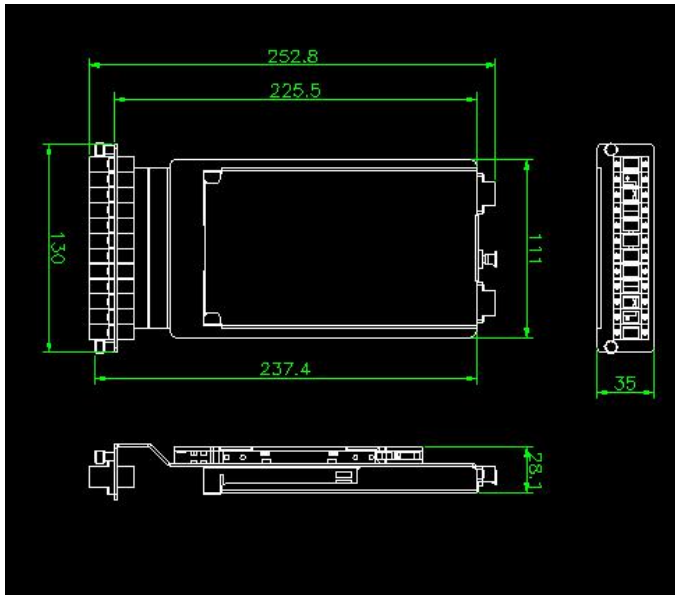
MPO cassettes Dimension: 225.5*130*35mm

Material: Aluminum.

Features:

- Compact design for space saving.
- Manual Screws fixation, Easy for management and operation.
- Patch Panel for fixing the MPO cassettes and easy sliding out.
- MPO cassettes: 12cores for SC simplex adapters. 24cores for LC duplex adapters. back side have 1pcs 24cores splice tray.

Cassettes drawing:



Painting:

1. Electrostatic Powder anti-rust spraying, Black or grey color optional.

Note: If customer no special requirement, we will spray grey color.

Model No.	Dimension (WXDXH)	Material	No. of MPO Box	Capacity
CNT-HD-1U-1	482.6x225x133.5	Cold Roll Steel	12(12/24core)	144/288 fibers